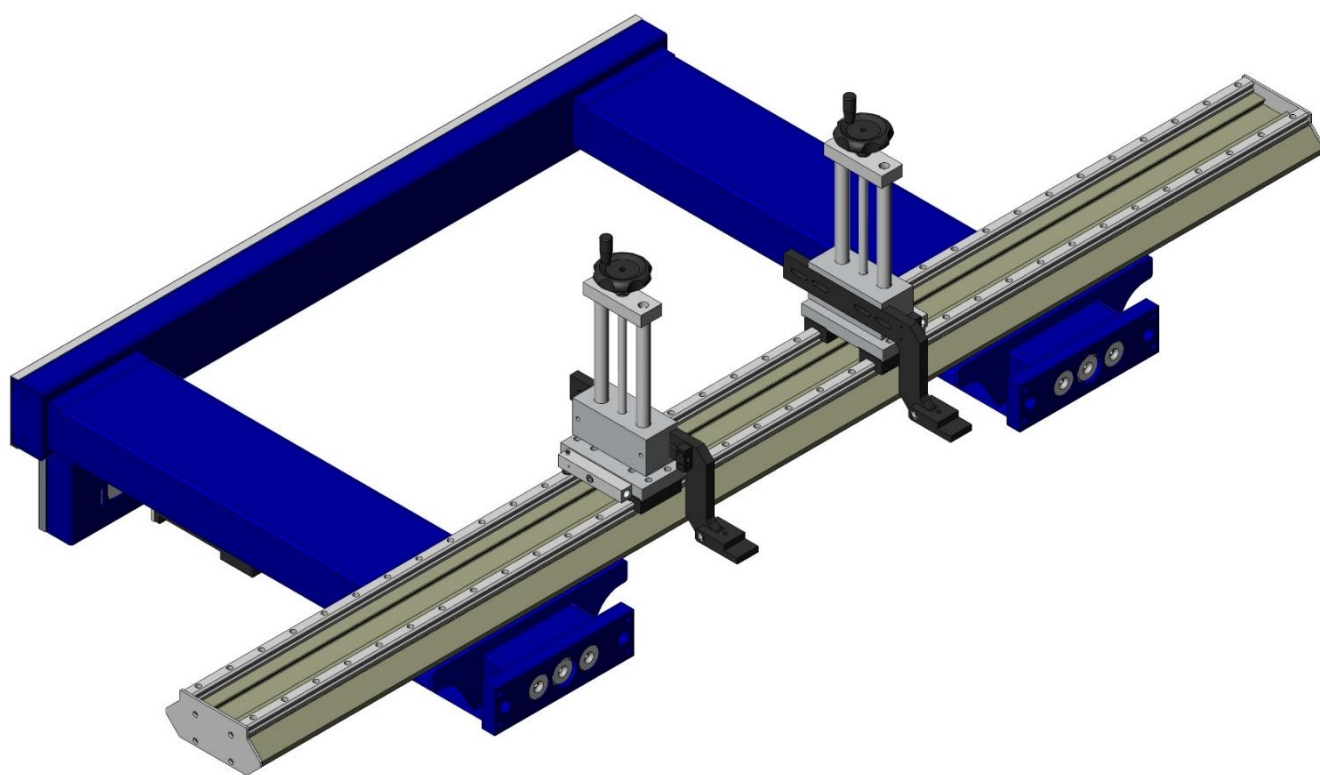


Rear Backgauge Model X2 for press brakes



MAX TON. CAPACITY

BASEMENT

AXES

AXIS X RUN

AXIS R RUN

AXIS Z MAX RUN

150 ton.

Table

1

600mm

180 manual

1500mm → 4000mm

TRIVENETA IMPIANTI S.r.l.

Administrative Headquarters: Via Scopella, 22 - 37060 Castel d'Azzano VR - Italy

Operational Headquarters: Via Bovolino, 18/B - 37060 Buttapietra VR - Italy

Phone: +39 045 518 747 - Fax +39 045 854 56 05 - Web Site: www.trivenetaimpianti.com - E-mail: sales@trivenetaimpianti.com