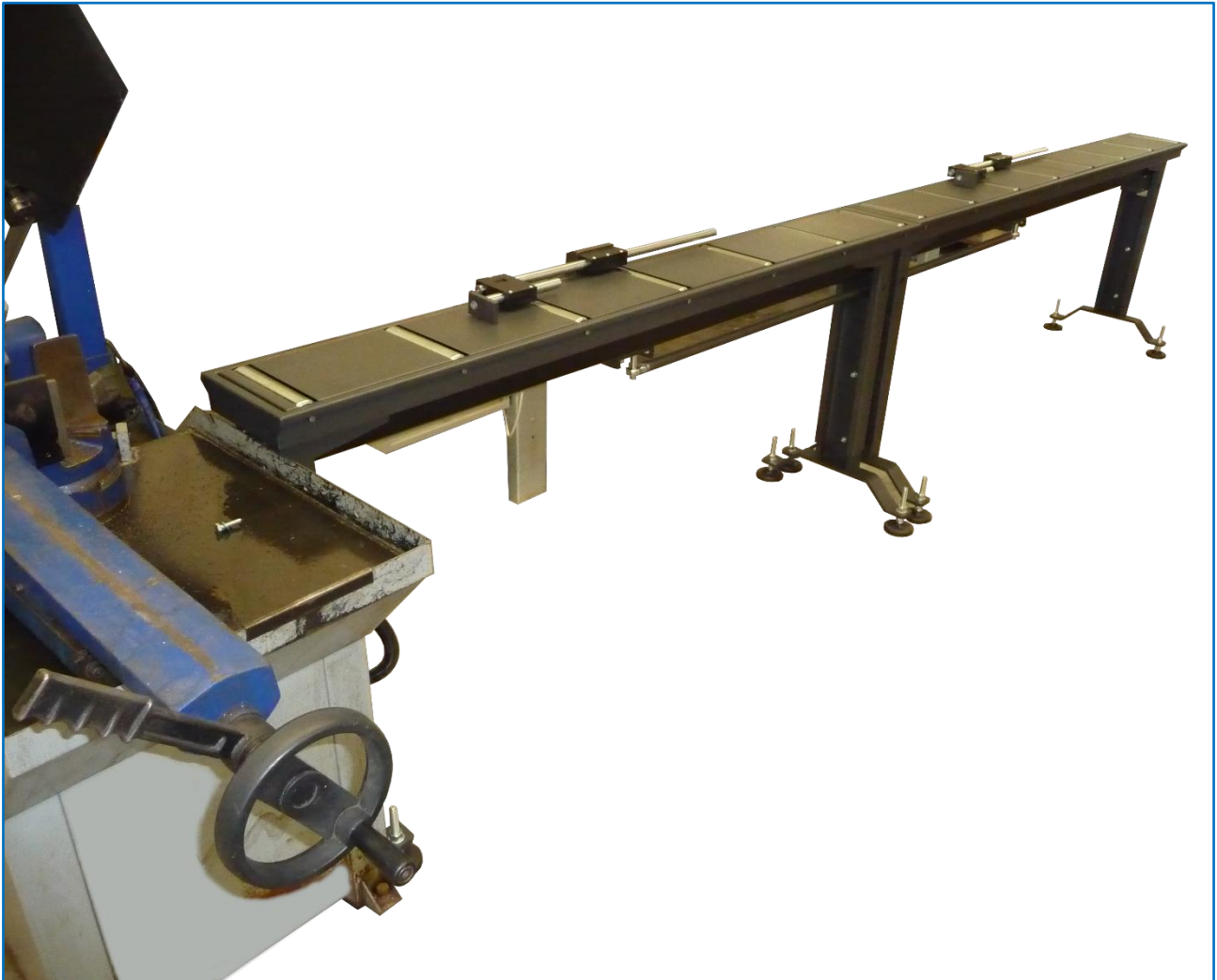




TRIVENETA SISTEMI

Rollers Models RLE



ROLLERS CATALOG

TRIVENETA IMPIANTI S.r.l.

Sede Amministrativa: Via Scopella, 22 - 37060 Castel d'Azzano VR - Italia

Sede Operativa: Via Bovolino, 18/B - 37060 Buttapietra VR - Italia

Telefono: +39 045 518 747 - Fax +39 045 854 56 05 - Sito web: www.trivenetaimpianti.com E-mail: sales@trivenetaimpianti.com

Displayed Bar RLE with decimal display and comparison group

- Standard dimension: 2100mm
- Run 1800mm
- Centesimal display
- Precision $\pm 0,1$



Idle Roller RLE Length 1800 mm



Rollers: 200mm
Capacity: 150 kg/mt

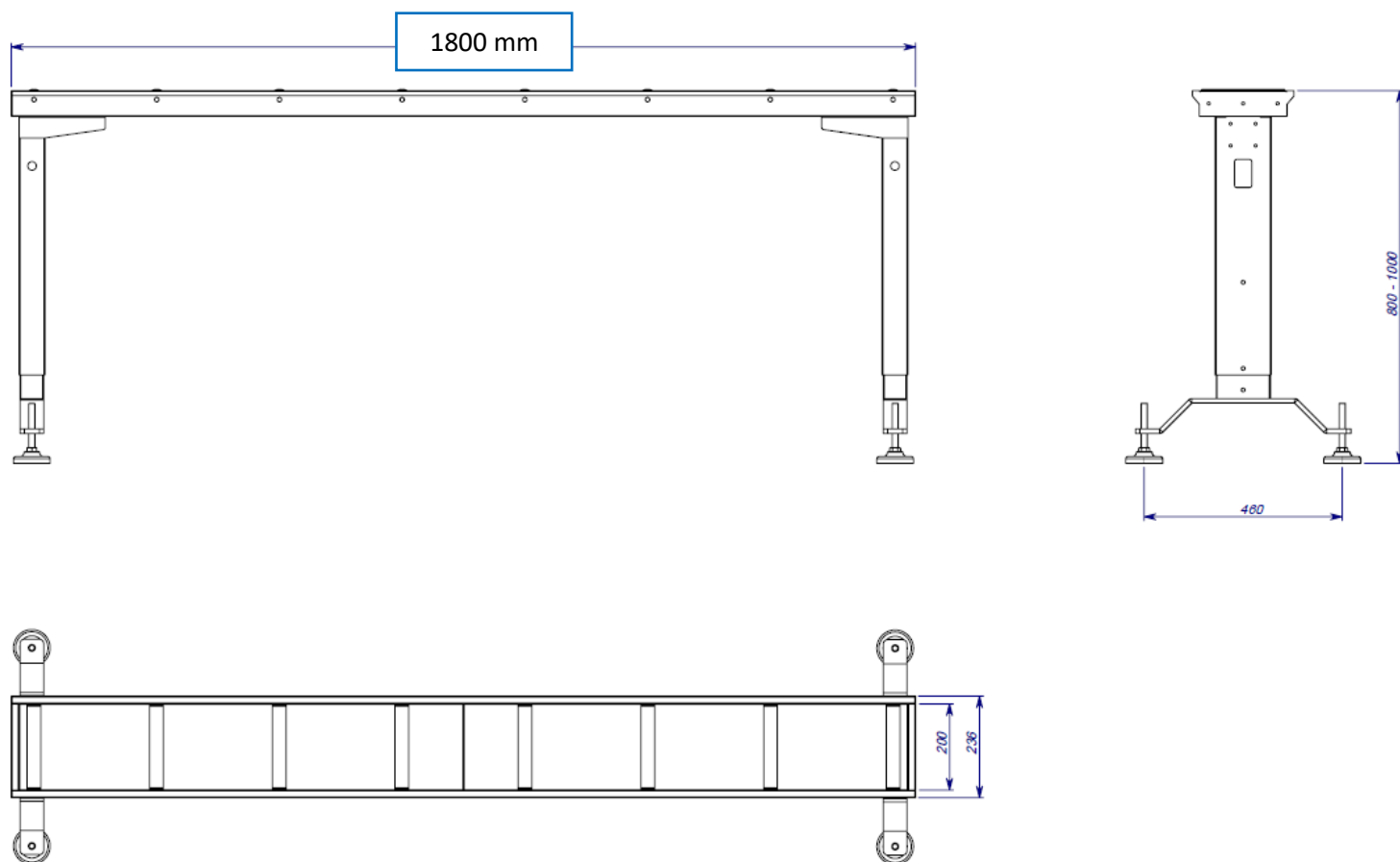
TRIVENETA IMPIANTI S.r.l.

Administrative Headquarters: Via Scopella, 22 - 37060 Castel d'Azzano VR - Italy

Operational Headquarters: Via Bovolino, 18/B - 37060 Buttapietra VR - Italy

Phone: +39 045 518 747 - Fax +39 045 854 56 05 - Web Site: www.trivenetaimpianti.com - E-mail: sales@trivenetaimpianti.com

DATA SHEET



TRIVENETA IMPIANTI S.r.l.

Administrative Headquarters: Via Scopella, 22 - 37060 Castel d'Azzano VR - Italy

Operational Headquarters: Via Bovolino, 18/B - 37060 Buttapietra VR - Italy

Phone: +39 045 518 747 - Fax +39 045 854 56 05 - Web Site: www.trivenetaimpianti.com - E-mail: sales@trivenetaimpianti.com

Idle Roller RLE Length 2100 mm



Rollers: 200mm
Capacity: 150 kg/mt

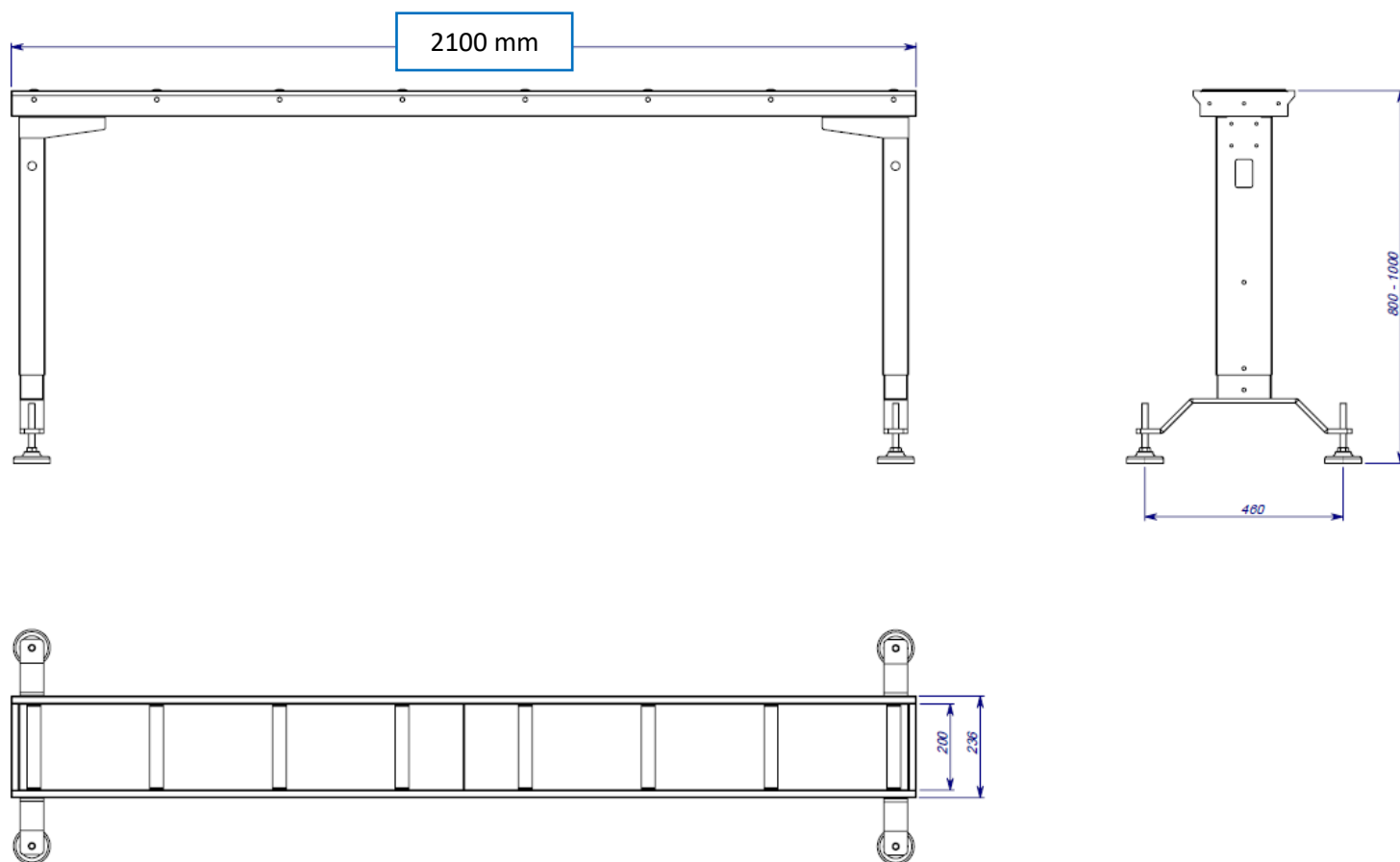
TRIVENETA IMPIANTI S.r.l.

Administrative Headquarters: Via Scopella, 22 - 37060 Castel d'Azzano VR - Italy

Operational Headquarters: Via Bovolino, 18/B - 37060 Buttapietra VR - Italy

Phone: +39 045 518 747 - Fax +39 045 854 56 05 - Web Site: www.trivenetaimpianti.com - E-mail: sales@trivenetaimpianti.com

DATA SHEET



Run 1500mm



TRIVENETA IMPIANTI S.r.l.

Administrative Headquarters: Via Scopella, 22 - 37060 Castel d'Azzano VR - Italy

Operational Headquarters: Via Bovolino, 18/B - 37060 Buttapietra VR - Italy

Phone: +39 045 518 747 - Fax +39 045 854 56 05 - Web Site: www.trivenetaimpianti.com - E-mail: sales@trivenetaimpianti.com

Manual Beat Roller is composed by:

COD. 062.0
DISPLAYED BAR RLE



Length 2100mm
Run 1500mm

COD. 062.21
IDLE ROLLER RLE 2100mm



TRIVENETA IMPIANTI S.r.l.

Administrative Headquarters: Via Scopella, 22 - 37060 Castel d'Azzano VR - Italy

Operational Headquarters: Via Bovolino, 18/B - 37060 Buttapietra VR - Italy

Phone: +39 045 518 747 - Fax +39 045 854 56 05 - Web Site: www.trivenetaimpianti.com - E-mail: sales@trivenetaimpianti.com

Automatic Roller RLE Run 1500mm with Positronic 1 axis



POSITRONIC
1 axis



TECHNICAL FEATURES

- Capacity: 150 kg/mt
- Adjustable feet
- Rollers: 200mm
- Precision $\pm 0,1$
- Maximum speed: 3 mt/min
- Touch Screen Positioner Positronic
- Brushless Motor

TRIVENETA IMPIANTI S.r.l.

Administrative Headquarters: Via Scopella, 22 - 37060 Castel d'Azzano VR - Italy

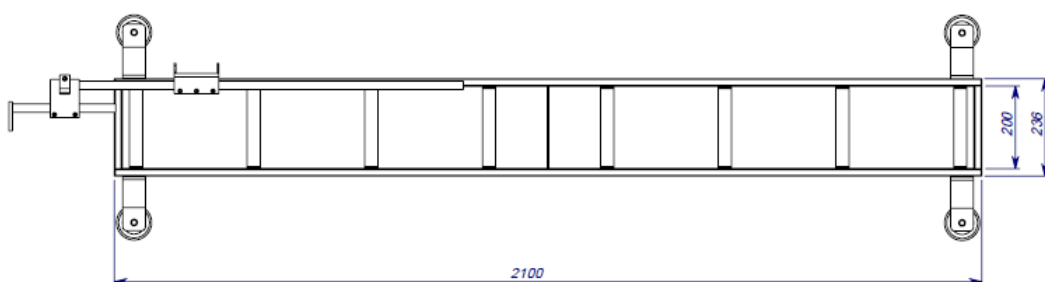
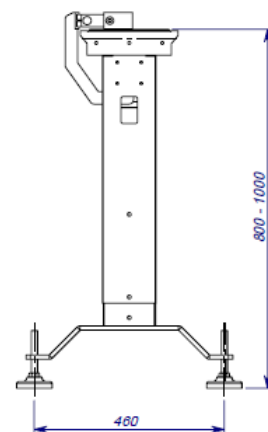
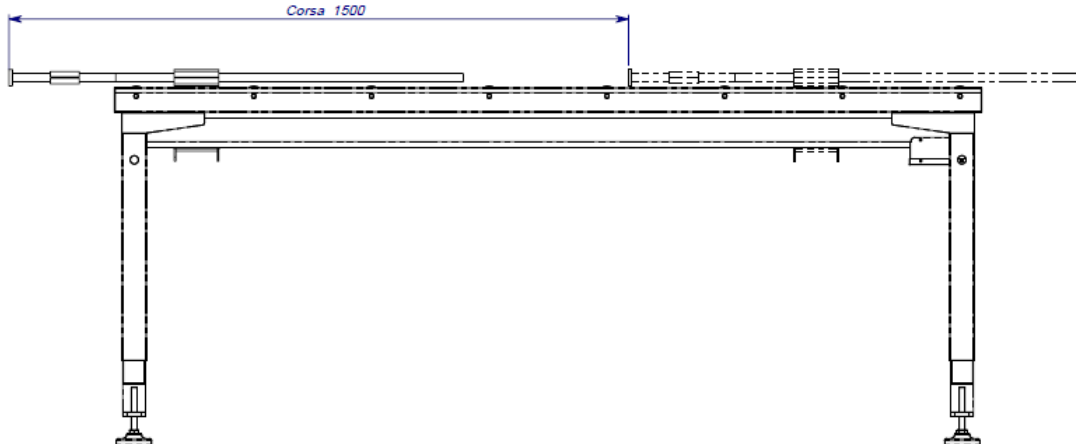
Operational Headquarters: Via Bovolino, 18/B - 37060 Buttapietra VR - Italy

Phone: +39 045 518 747 - Fax +39 045 854 56 05 - Web Site: www.trivenetaimpianti.com - E-mail: sales@trivenetaimpianti.com

DATA SHEET

Run 1500

Corsa 1500



TRIVENETA IMPIANTI S.r.l.

Administrative Headquarters: Via Scopella, 22 - 37060 Castel d'Azzano VR - Italy

Operational Headquarters: Via Bovolino, 18/B - 37060 Buttapietra VR - Italy

Phone: +39 045 518 747 - Fax +39 045 854 56 05 - Web Site: www.trivenetaimpianti.com - E-mail: sales@trivenetaimpianti.com

Automatic Roller RLE Run 3000mm with Positronic 1 axis



POSITRONIC
1 axis



TECHNICAL FEATURES

- Capacity: 150 kg/mt
- Adjustable feet
- Rollers: 200mm
- Precision $\pm 0,1$
- Maximum speed: 3 mt/min
- Touch Screen Positioner Positronic
- Brushless Motor

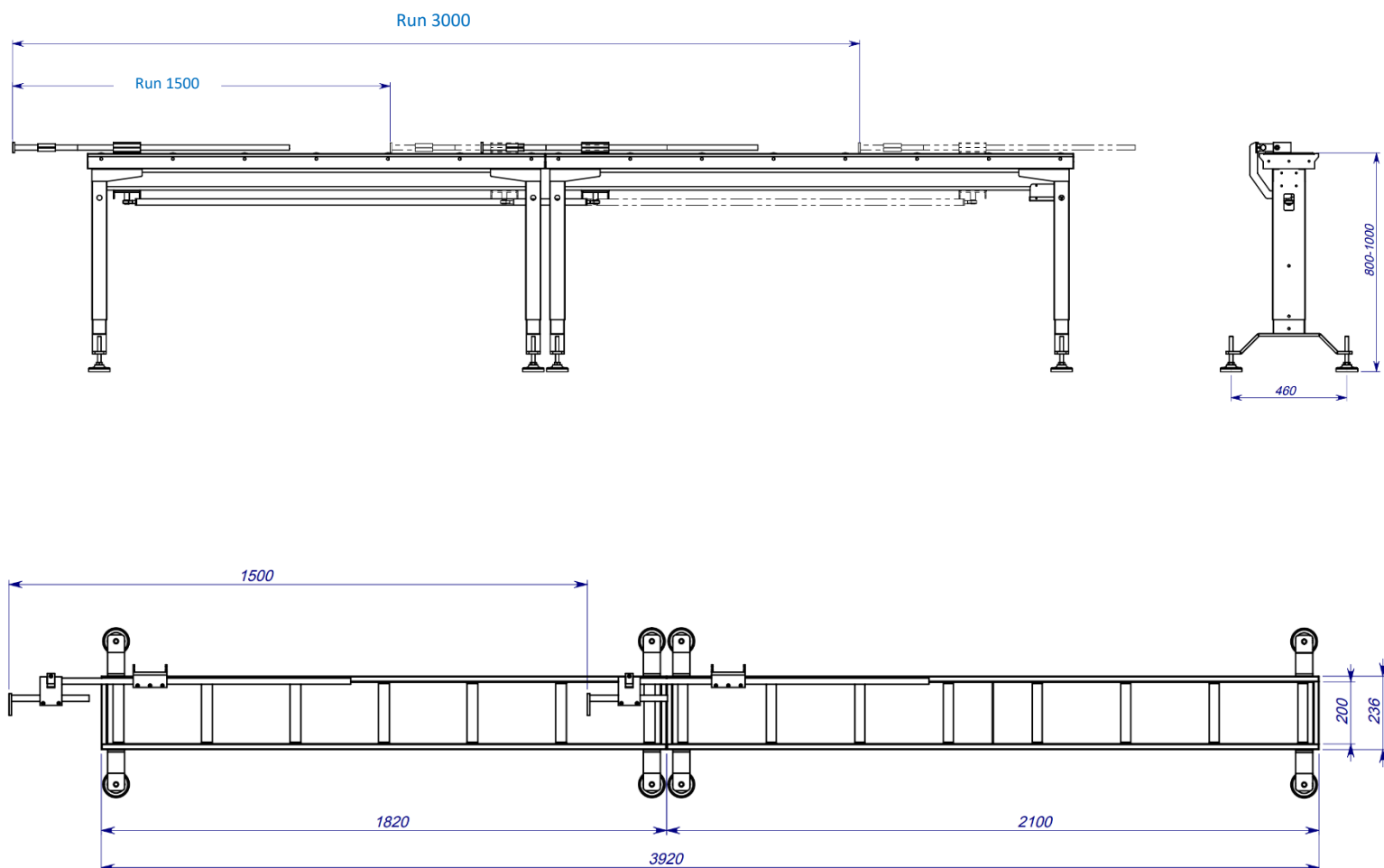
TRIVENETA IMPIANTI S.r.l.

Administrative Headquarters: Via Scopella, 22 - 37060 Castel d'Azzano VR - Italy

Operational Headquarters: Via Bovolino, 18/B - 37060 Buttapietra VR - Italy

Phone: +39 045 518 747 - Fax +39 045 854 56 05 - Web Site: www.trivenetaimpianti.com - E-mail: sales@trivenetaimpianti.com

DATA SHEET



TRIVENETA IMPIANTI S.r.l.

Administrative Headquarters: Via Scopella, 22 - 37060 Castel d'Azzano VR - Italy

Operational Headquarters: Via Bovolino, 18/B - 37060 Buttapietra VR - Italy

Phone: +39 045 518 747 - Fax +39 045 854 56 05 - Web Site: www.trivenetaimpianti.com - E-mail: sales@trivenetaimpianti.com