



TRIVENETA SISTEMI

# Magnetic Linear Encoder 500mm

COD. 031 500



## FEATURES:



- 5 $\mu$ m resolution
- IP degree: IP 65
- $\pm$  20 $\mu$ m accuracy
- Full symmetrical
- LED status indicators
- Adjustable reference
- Measuring range from 150mm to 2000mm
- Protective steel cover for measurement tape
- High precision bearings for smooth movement

→ The Magnetic Linear Encoder is supplied with  
PRECISION MECHANICAL SCREW

### TRIVENETA IMPIANTI S.r.l.

Administrative Headquarters: Via Scopella, 22 - 37060 Castel d'Azzano VR - Italy

Operational Headquarters: Via Bovolino, 18/B - 37060 Buttapietra VR - Italy

Phone: +39 045 518 747 - Fax +39 045 854 56 05 - Web Site: [www.trivenetaimpianti.com](http://www.trivenetaimpianti.com) E-mail: [sales@trivenetaimpianti.com](mailto:sales@trivenetaimpianti.com)

## MODEL SPECIFICATIONS

Pole pitch: 5mm

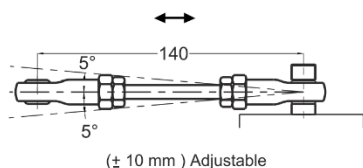
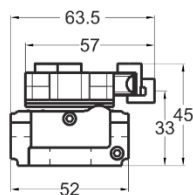
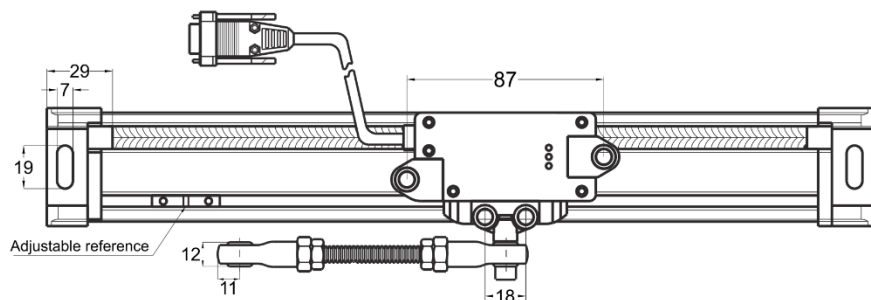
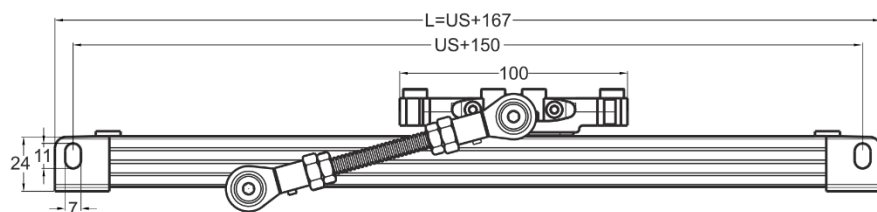
Measurement stroke: 500mm

Adjustable referance

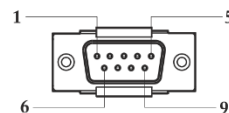
Resolution: 5 $\mu$ m

Output Type: TTL Linedriver

Supply Voltage: 8-24V DC



### PIN CONFIGURATION



### Cable output

V+ : Brown  
 0V : Blue  
 A : Black  
 B : White  
 Z : Orange  
 A inv.: Yellow  
 B inv.: Green  
 Z inv.: Red  
 GND : Earth

### 9G Type Electrical Connection

Pin 1 : Ch A  
 Pin 2 : Ch A inv.  
 Pin 3 : Ch Z  
 Pin 4 : Ch B  
 Pin 5 : Ch B inv.  
 Pin 6 : Ch Z inv.  
 Pin 7 : +V  
 Pin 8 : GND  
 Pin 9 : Earth

### 9H Type Electrical Connection

Pin 1 : Ch Z  
 Pin 2 : Ch B  
 Pin 3 : Ch A  
 Pin 4 : NC  
 Pin 5 : GND  
 Pin 6 : Ch Z inv.  
 Pin 7 : Ch B inv.  
 Pin 8 : Ch A inv.  
 Pin 9 : +V