

OPTIC ROTARY INCREMENTAL ENCODER



TECHNICAL FEATURES:

[LAP PULSES: 2500]

- Model: PRID
- Output Channel: Z
- Shaft Diameter: $\varnothing 6$ mm
- Case Diameter: $\varnothing 50$ mm
- Cable Output: R = Radial
- Maximum Speed: 3500 rpm
- Output Type: LTP = Push-Pull
- Supply Voltage: V3 = 5-24V DC
- Connector/cable length: 2M5 = 2,5m
- Material: aluminium and painted steel

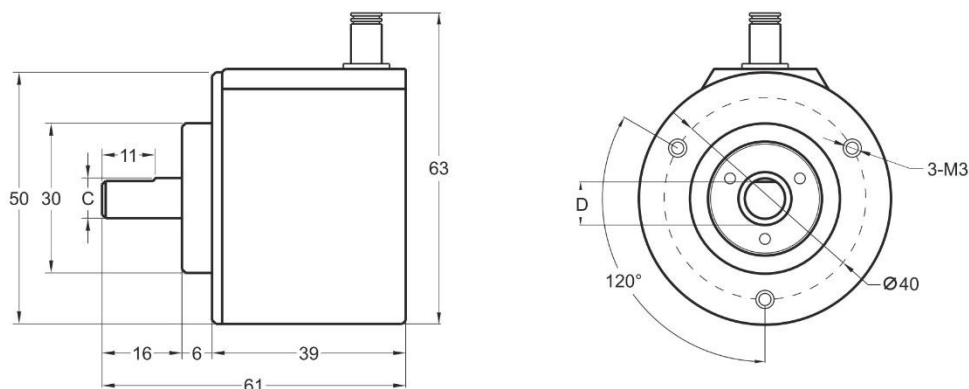
TRIVENETA IMPIANTI S.r.l.

Administrative Headquarters: Via Scopella, 22 - 37060 Castel d'Azzano VR - Italy

Operational Headquarters: Via Bovolino, 18/B - 37060 Buttapietra VR - Italy

Phone: +39 045 518 747 - Fax +39 045 854 56 05 - Web Site: www.trivenetaimpianti.com - E-mail: sales@trivenetaimpianti.com

WIRING DIAGRAM



Shaft Type / Radial

PRI 50	R (shaft)	
	C	D
	Ø6mm	5,50mm
	Ø8mm	7,30mm
	Ø10mm	9,00mm

Push-Pull Cable Output

+V : Brown
 0V : White
 GND : Shield
 Ch A : Yellow
 Ch B : Green
 Ch Z : Gray

TTL - HTL Linedriver Cable Output

+V : Brown
 0V : White
 GND : Shield
 Ch A : Yellow
 Ch B : Green
 Ch Z : Gray
 Ch A inv.: Blue
 Ch B inv.: Red
 Ch Z inv.: Pink