

LINEAR POTENTIOMETER - STANDARD SERIES - RUN 250mm



TECHNICAL FEATURES:

- Permissible applied voltage: 28 VDC max
- Measuring range: from 30mm to 1250mm
- Mechanical life: 100 million cycles
- Excellent repeatability: <0,01mm
- Displacement speed: <5m/s
- Infinite resolution
- IP degree: IP 65
- Linearity: $\pm 0,05$ mm
- Resistance: 5 KOhm
- Rod diameter: $\varnothing 6$ mm
- Resistance tolerance: $\pm 20\%$
- Electrical connection: 4 pin connector
- Material: anodized aluminium and stainless steel

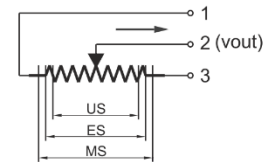
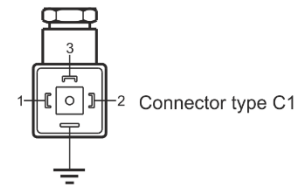
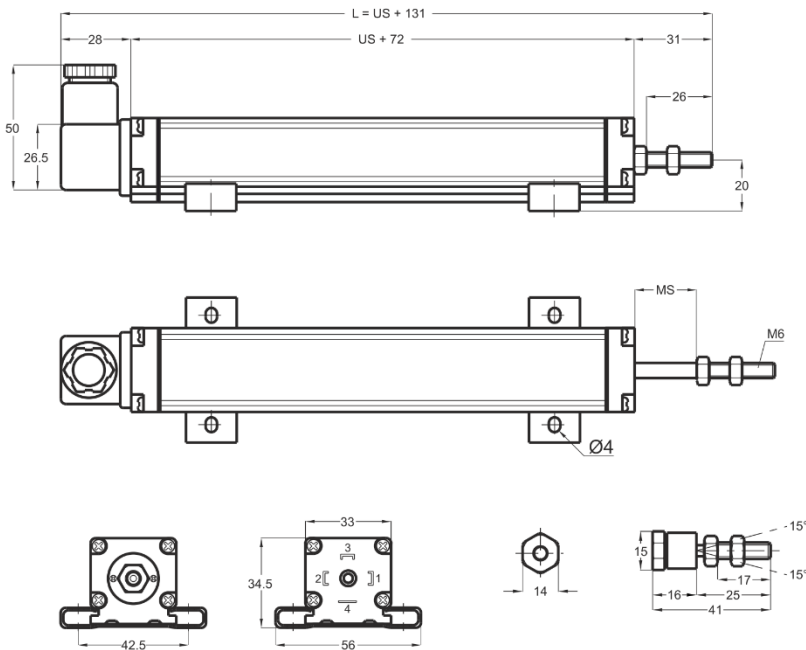
TRIVENETA IMPIANTI S.r.l.

Administrative Headquarters: Via Scopella, 22 - 37060 Castel d'Azzano VR - Italy

Operational Headquarters: Via Bovolino, 18/B - 37060 Buttapietra VR - Italy

Phone: +39 045 518 747 - Fax +39 045 854 56 05 - Web Site: www.trivenetaimpianti.com - E-mail: sales@trivenetaimpianti.com

LINEAR POTENTIOMETER RUN 250mm DETAILS



LPT (mm)	30	50	75	100	125	130	150	175	200	225	250	275	300	325	350	375	400	450	500	550	600	650	700	750	800	850	900	1000	1250
US (Usefull Stroke)	30	50	75	100	125	130	150	175	200	225	250	275	300	325	350	375	400	450	500	550	600	650	700	750	800	850	900	1000	1250
MS (Mechanical Stroke)	33	53	73	103	128	133	153	178	203	228	253	278	303	328	353	373	403	453	503	553	603	653	703	753	803	853	903	1003	1253
L (Total Length)	161	181	206	231	256	261	281	306	331	356	381	406	431	456	481	506	531	581	631	681	731	781	831	881	931	981	1031	1131	1381