

LINEAR POTENTIOMETER - RUN 600mm



TECHNICAL FEATURES:

- Permissible applied voltage: 28 VDC max
- Measuring range: da 30mm a 1000mm
- Electrical connection: 4 pin connector
- Mechanical life: 100 million cycles
- Excellent repeatability: <0,01mm
- Displacement speed: <5m/s
- Infinite resolution
- IP degree: IP 65
- Rod diameter: \varnothing 6mm
- Resistance tolerance: \pm 20%
- Load resistance: 100 kOhm min.
- Resistance: 5 kOhm: 30...600mm
- Material: anodized aluminium and stainless steel
- Linearity:
 \pm 0,05 (>200mm); \pm 0,1 (130 - 200mm); \pm 0,2 (75 - 130mm); \pm 0,5 (<75mm)

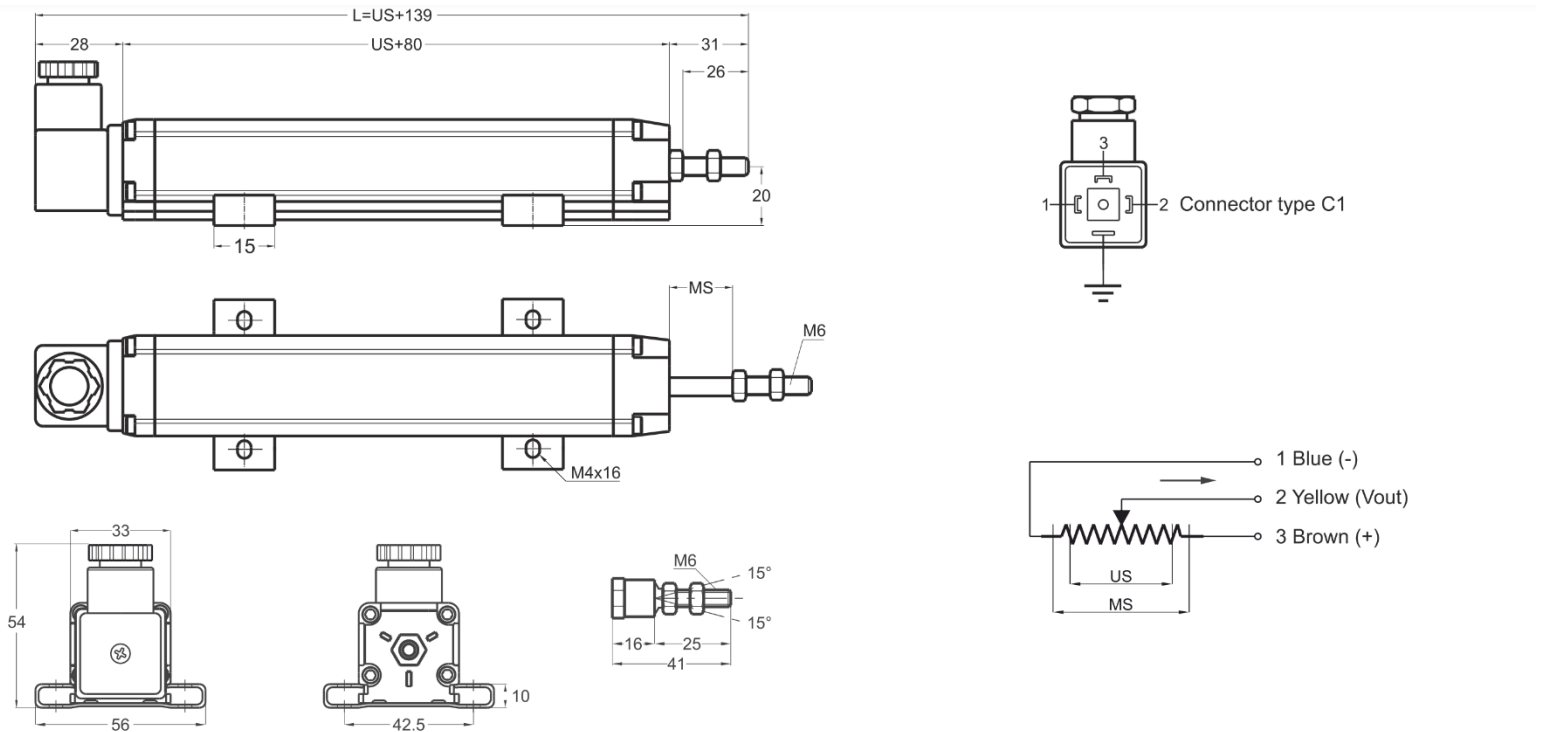
TRIVENETA IMPIANTI S.r.l.

Administrative Headquarters: Via Scopella, 22 - 37060 Castel d'Azzano VR - Italy

Operational Headquarters: Via Bovolino, 18/B - 37060 Buttapietra VR - Italy

Phone: +39 045 518 747 - Fax +39 045 854 56 05 - Web Site: www.trivenetaimpianti.com - E-mail: sales@trivenetaimpianti.com

LINEAR POTENTIOMETER RUN 600mm DETAILS



RTL (mm)	30	50	75	100	125	130	150	175	200	225	250	275	300	325	350	375	400	450	500	550	600	650	700	750	800	850	900	1000
US (Usefull Stroke)	30	50	75	100	125	130	150	175	200	225	250	275	300	325	350	375	400	450	500	550	600	650	700	750	800	850	900	1000
MS ±0,5 (Mechanical Stroke)	33	53	73	103	128	133	153	178	203	228	253	278	303	328	353	373	403	453	503	553	603	653	703	753	803	853	903	1003
L (Total Length)	169	189	214	239	264	269	289	314	339	364	389	414	439	464	489	514	539	589	639	689	739	789	839	889	939	989	1039	1139