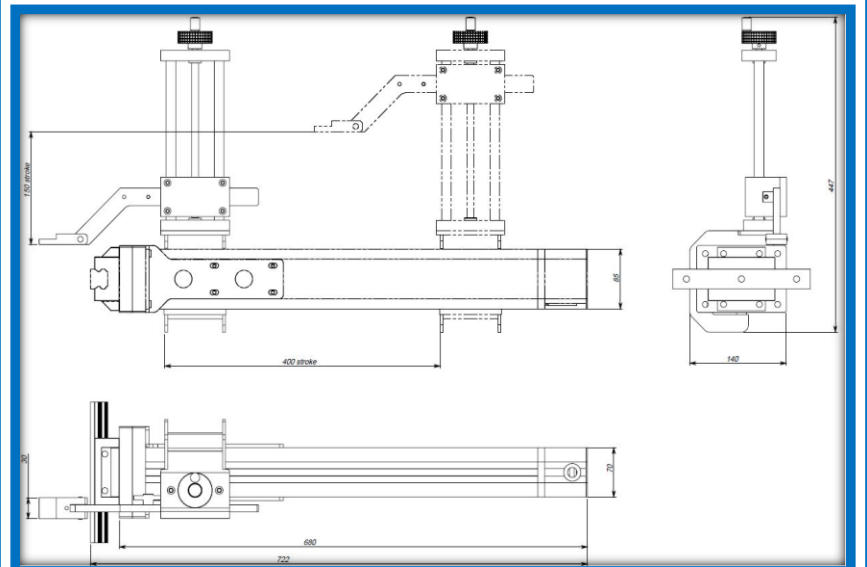
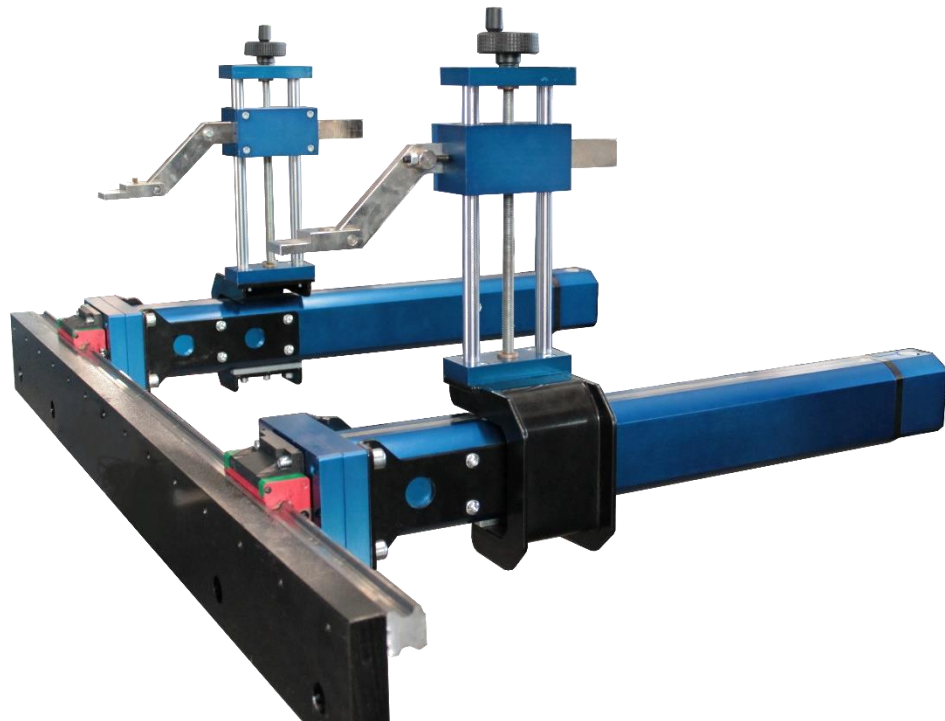


Back register for **torsion bar presses and RG Amada / Promecam.**  
Suitable for machines up to 60 Ton.

**STEPPER COD. 022FPP**



**TRIVENETA IMPIANTI S.r.l.**

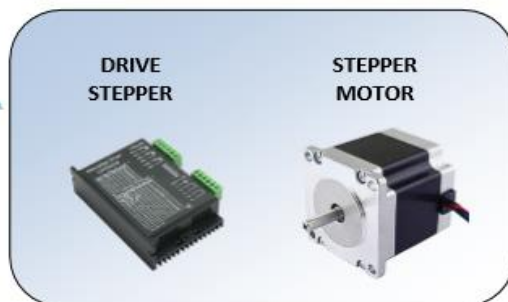
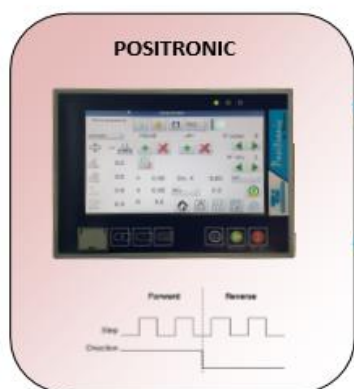
Administrative Headquarters: Via Scopella, 22 - 37060 Castel d'Azzano VR – Italy

Operational Headquarters: Via Bovolino, 18/B - 37060 Buttapietra VR - Italy

Phone: +39 045 518 747 - Fax +39 045 854 56 05 - Web Site: [www.trivenetaimpianti.com](http://www.trivenetaimpianti.com) E-mail: [sales@trivenetaimpianti.com](mailto:sales@trivenetaimpianti.com)

## MOVEMENT AXIS

### Axis X1 and X2 independent



### AXIS R1 and R2



*Manual*

## AXIS Y



*Stepper*